

# Lavabi

2021



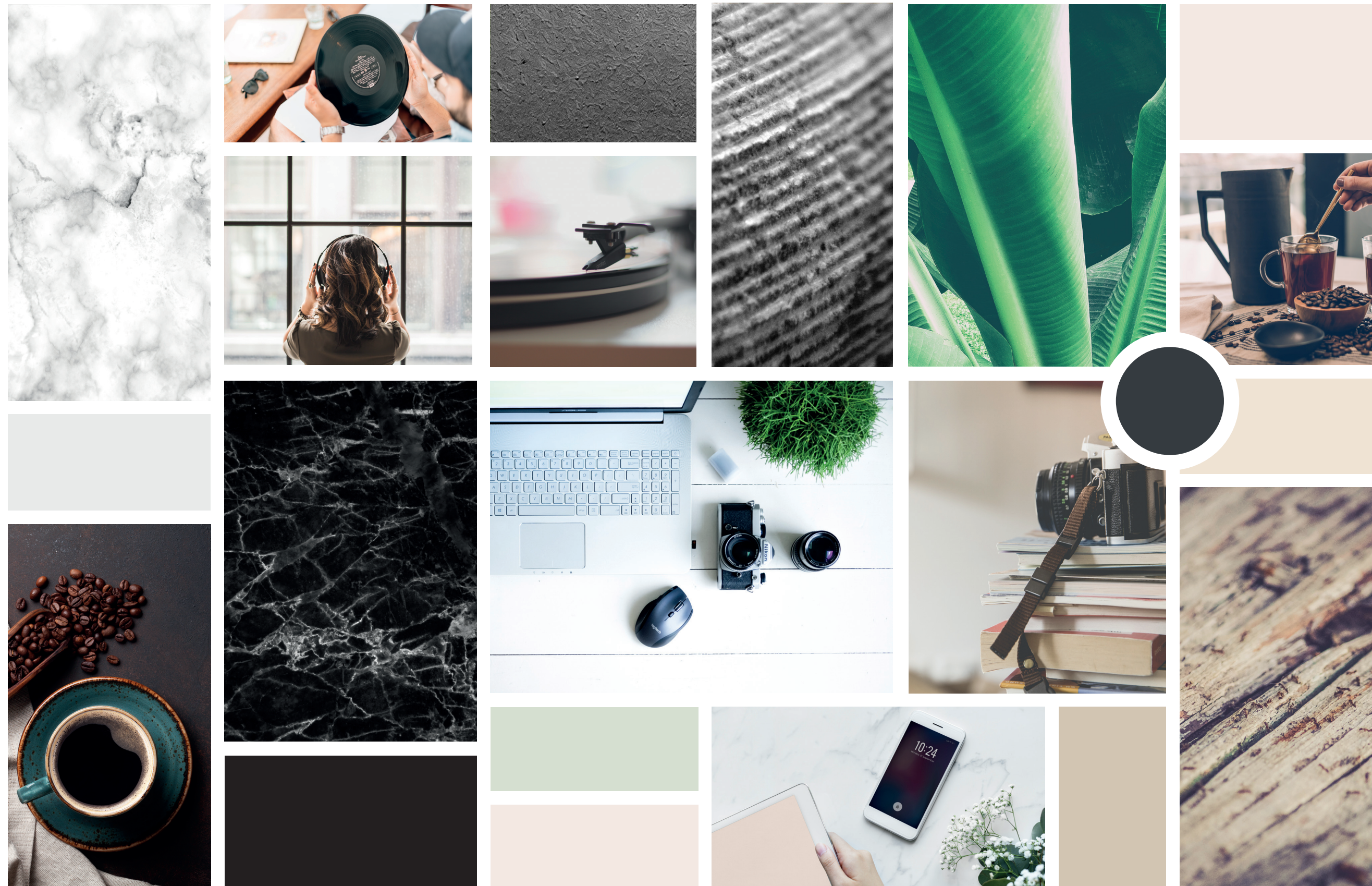
**“dagli anni Novanta  
il nostro stile  
inconfondibile”**

#imsostone

# IMSO design

Originalità e personalità  
Materiali ricercati  
Curiosità insaziabile  
Visione internazionale  
Passione italiana

#imsodesign



# Sezione

## LAVABI

Forme a colonna dalle differenti geometrie in Marmi e pietre naturali lavorati da un unico blocco monolitico con levigatura omogenea o con combinazione di finiture sulla superficie esterna, per soddisfare differenti esigenze sia in termini stilistici sia funzionali.

Pedestal basin shaped with different designs always starting from a single monolithic block and using the most precious marbles and natural stones with homogeneous smooth finish or with an especial finishing combining gloss and hammered surface, to satisfy different functional and aesthetic requirements.

Vasques polies aussi bien à l'intérieur qu'à l'extérieur ou brut à l'extérieur et poli intérieurement. Elles sont taillées dans des blocs colonne de différentes formes afin de satisfaire les diverses fonctionnalités et style.

Säulen in verschiedener geometrischer Formen aus Marmor und Natursteine, die aus einzigen monolithischen Marmorblöcken entnommen sind. Die können entweder eine gleichartige Glättung oder eine äußerliche gemischte Feinbearbeitung aufweisen, um alle stilistischen und praktischen Anforderungen zu erfüllen.

Forme essenziali e minimal per questi lavabi in appoggio ottenuti SELEZIONANDO BLOCCHI MONOLITICI DI MARMO lavorati sia a contrasto fra superficie lucida interna e bucciardata esternamente, o lucida all'interno così come all'esterno.

Essential and minimal shape design for over counter basins obtained from selected single marble block sculpted and finished both in polish inside and outside or with polish surface inside and rough-matt outside.

Formes essentielles et minimales pour ces vasques à poser obtenues après la sélection de blocs monolithiques de marbre, travaillés pour obtenir une surface interne et externe poli, ou interne poli et externe brut.

Wesentliche und minimale Formen für diese aus der sorgfälligen Auswahl von monolithischen Marmorblöcken herauskommende Tischbecken, die komplett poliert sein können, oder äußerlich grab bearbeitet mit polierter Innenseite.

Geometrie squadrate e spigolose per lavabi in appoggio lavorati con linee da sapore retrò disponibili in differenti tipologie di marmi e pietre nobili.

Squared and geometric over counter basins designed with retro style, available in different fine marbles variety.

Vasques à poser aux lignes pures et géométriques disponibles en différentes typologie de marbre et pierres nobles.

Viereckige und kantige Geometrien mit altmodischer Linien für diese Tischwaschbecken, die aus verschiedener Typologien von Marmor und Edelsteinen verfügbar sind.

Ogni piatto doccia è realizzato da blocchi monolitici nel rispetto degli ingombri e delle caratteristiche tecniche necessarie al completamento del box doccia.

Each shower tray is obtain from a monolithic single block and shaped with specific technical feature and dimensions to fit the shower box standards.

Bac à douche réalisé à partir de bloc monolithique dans le respect de la dimension et des caractéristiques techniques des box douche

Entsprechend Maßen und technischer Eigenschaften für die Ergänzung der Duschkabinen sind alle Duschbecken aus einzigen monolithischen Marmorblöcken entnommen.



# LAVABI

## caratteristiche prodotti imballi

### SHAPE

Pezzi unici    Boule  
Rotondi        Cerchio  
Quadrati        Moderno  
Rettilangolari    Catino  
Trapezoidali  
Colonna  
Secchio

### COLORS

Bianco  
Beige  
Cream  
Miele  
Sunset  
Grigio  
Antracite  
Fumè  
Nero

### MATERIALS

Fossil  
legno fossile  
Riverstone  
pietra di fiume  
Jurassic onyx  
onice  
Pilar stone  
pietra lavica  
Astratto  
marmo

### SUPERFACE FINISH

Grezza  
Levigata  
Bucciardata  
Decorata

Forme, colori e dimensioni sempre diverse rendono ogni lavabo unico.

Pezzi unici e irripetibili di rarissimo onice Jurassic scolpito a catino lasciando grezza la superficie esterna e levigata quella interna. Per le caratteristiche tecnico-estetiche della materia prima naturale, ogni lavabo è unico per forma e accento cromatico.

Forme, couleur et dimension toujours différentes rendent chaque vasque unique.

A single unique piece of rare Jurassic onyx sculpted in a basin volume, leaving rough the external surface and polished inside. Due to the technical-design's features of the natural raw material, each piece is a single masterpiece with an exclusive shape and colour variation.

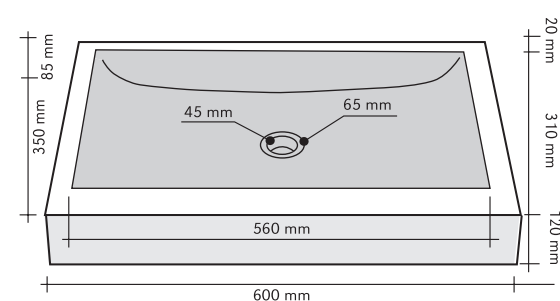
Form, colour and dimension always different makes each basin unique.

Pièces uniques précieux Jurassic onyx, extérieurement brut naturelle et poli à l'intérieur. Les caractéristiques techniques et esthétiques lies à la pierre naturelle font que chaque vasque soit unique par sa forme et sa couleur.

Verschiedene Form, Farbe und Dimensionen stellen jedes Waschbecken einzigartig dar.

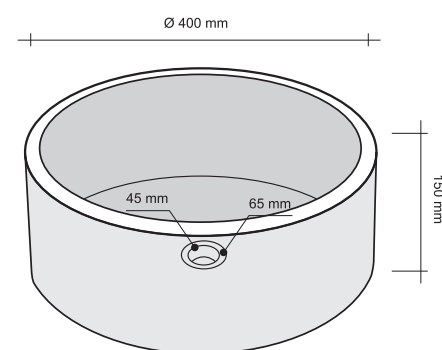
Einzig und unwiederholbare aus versteinertem Jurassic Onyx Stücke, die als Becken mit grober Außenseite und polierter Innenseite geschnitzt werden. Wegen der technischen sowie ästhetischen Eigenschaften des natürlichen Rohstoffes ist jedes Waschbecken einzig und allein, sowie in der Form, als auch in dem chromatischen Ton.





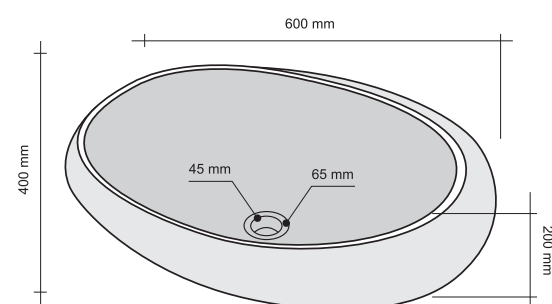
## SIMMETRIE BIANCO

CODE	ISLASIBCO
COLOUR	Bianco
DIMENSIONS	35x60xh12 cm
MATERIAL	Marmo
SURFACE FINISH	Levigata
KG / BOX	35
PRICE BAND	25



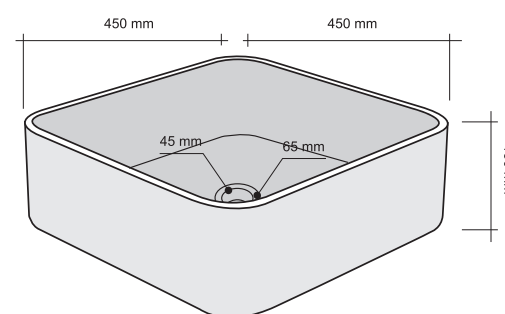
## CERCHIO BIANCO

CODE	ISLACERBI
COLOUR	Bianco
DIMENSIONS	Ø40 h15 cm
MATERIAL	Marmo
SURFACE FINISH	Levigato
KG / PZ	23
PRICE BAND	24



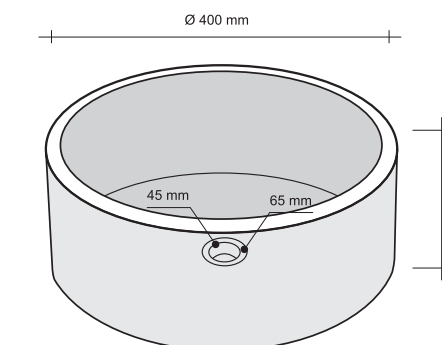
## BOULE BIANCO

CODE	ISLABUWHI
COLOUR	Bianco
DIMENSIONS	40x60 h20 cm
MATERIAL	Marmo
SURFACE FINISH	Levigato
KG / PZ	30
PRICE BAND	33



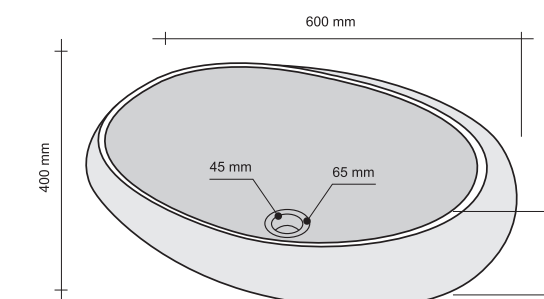
## MODERNO BIANCO

CODE	ISLAMODBI
COLOUR	Bianco
DIMENSIONS	45x45 h 15 cm
MATERIAL	Marmo
SURFACE FINISH	Levigato
KG / PZ	30
PRICE BAND	28



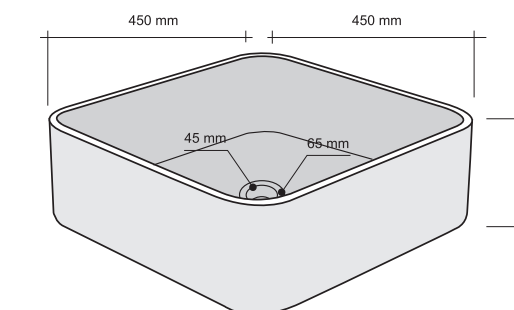
## CERCHIO BEIGE

CODE	ISLACERBG
COLOUR	Beige
DIMENSIONS	Ø40 h15 cm
MATERIAL	Marmo
SURFACE FINISH	Levigata
KG / PZ	23
PRICE BAND	24



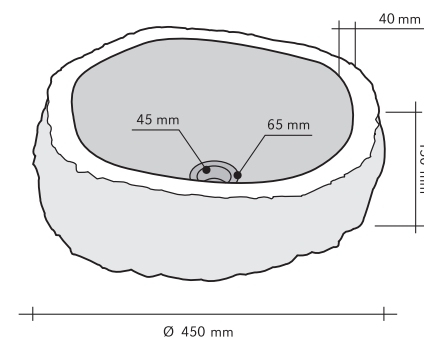
## BOULE BEIGE

CODE	ISLABUBGE
COLOUR	Beige
DIMENSIONS	40x60 h20 cm
MATERIAL	Marmo
SURFACE FINISH	Levigata
KG / PZ	30
PRICE BAND	33



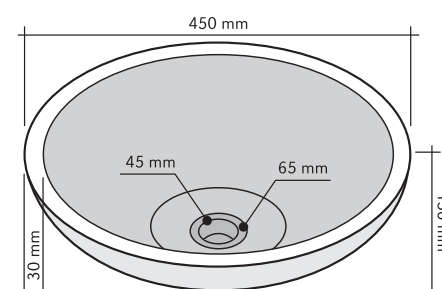
## MODERNO BEIGE

CODE	ISLAMODBG
COLOUR	Beige
DIMENSIONS	45x45 h 15 cm
MATERIAL	Marmo
SURFACE FINISH	Levigata
KG / PZ	30
PRICE BAND	28



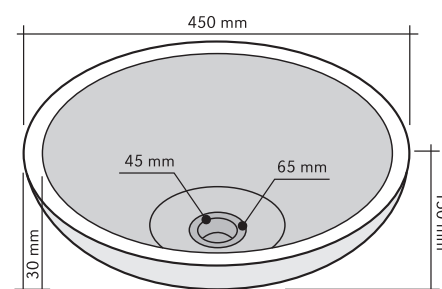
#### ASTRATTO BEIGE

CODE	ISLAASBED
COLOUR	Beige
DIMENSIONS	Ø45 h15 cm
MATERIAL	Marmo
SURFACE FINISH	Grezzo
KG / PZ	45
PRICE BAND	23



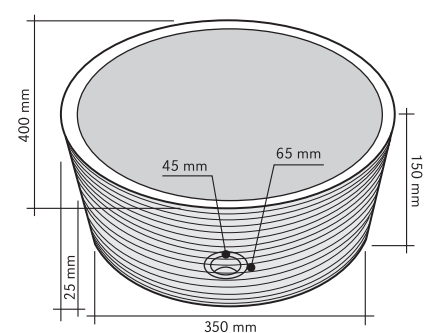
#### TONDO BEIGE LEVIGATO

CODE	ISLATOBEL
COLOUR	Beige
DIMENSIONS	Ø45 h15 cm
MATERIAL	Marmo
SURFACE FINISH	Levigata
KG / PZ	30
PRICE BAND	23



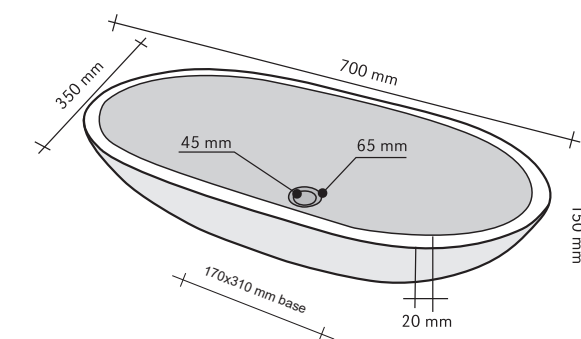
#### ROTONDO BEIGE GREZZO

CODE	ISLATOBEG
COLOUR	Beige
DIMENSIONS	Ø45 h15 cm
MATERIAL	Marmo
SURFACE FINISH	Grezzo
KG / PZ	30
PRICE BAND	23



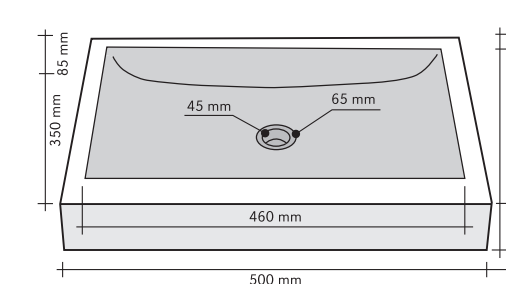
#### CILINDRO BEIGE

CODE	ISLACILBE
COLOUR	Beige
DIMENSIONS	Ø40 h15 cm
MATERIAL	Marmo
SURFACE FINISH	Burrato
KG / PZ	25
PRICE BAND	23



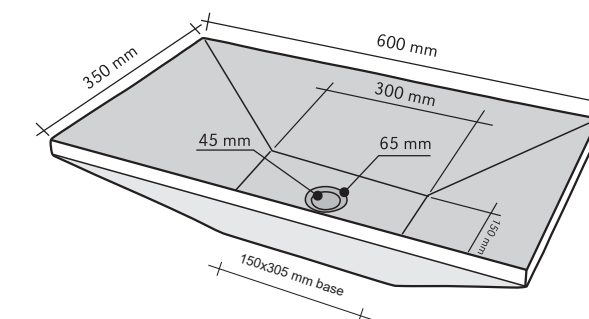
#### OVALE BEIGE

CODE	ISLAOVBGD
COLOUR	Beige
DIMENSIONS	35x70xh15 cm
MATERIAL	Marmo
SURFACE FINISH	Levigata
KG / PZ	50
PRICE BAND	33



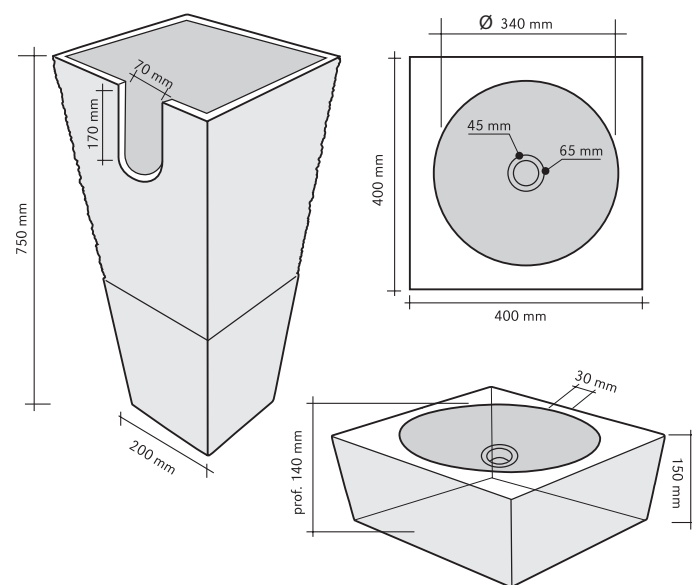
#### QUADRATO BEIGE

CODE	ISLAQUBEG
COLOUR	Beige
DIMENSIONS	35x50xh12 cm
MATERIAL	Marmo
SURFACE FINISH	Levigata
KG / PZ	30
PRICE BAND	24



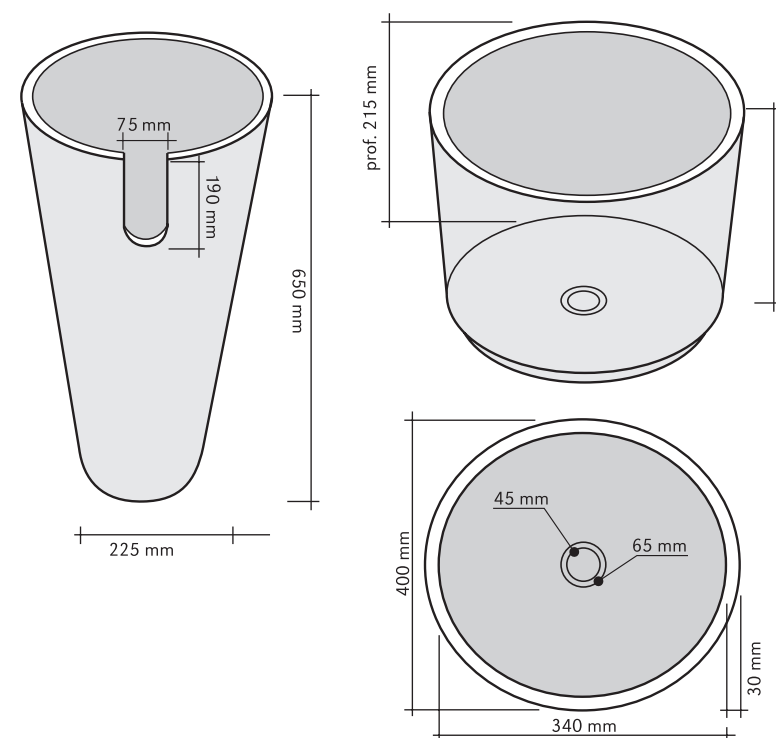
#### TRAPEZIO BEIGE

CODE	ISLATRABE
COLOUR	Beige
DIMENSIONS	35x60xh15 cm
MATERIAL	Marmo
SURFACE FINISH	Levigata
KG / PZ	30
PRICE BAND	26



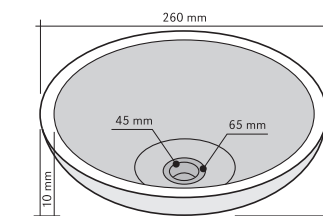
## PIRAMIDE BEIGE

CODE	ISLAPIRBE
COLOUR	Beige
DIMENSIONS	40x40x90 cm
MATERIAL	Marmo
SURFACE FINISH	Lavorata
KG / PZ	90
PRICE BAND	40



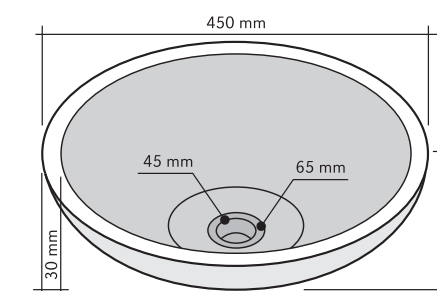
## CONICO BEIGE

CODE	ISLACONBE
COLOUR	Beige
DIMENSIONS	Ø40 h90 cm
MATERIAL	Marmo
SURFACE FINISH	Levigato-Bucciar.
KG / PZ	90
PRICE BAND	36



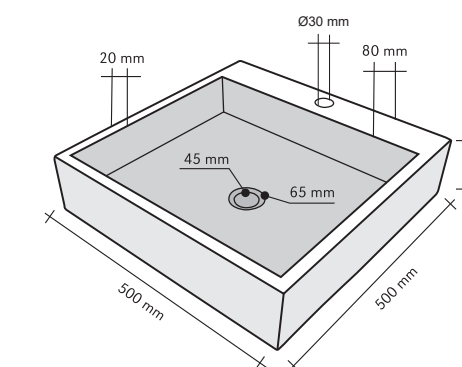
## MINI TONDO ONICE

CODE	ISLAMIONI
COLOUR	Chiaro
DIMENSIONS	Ø26 h13 cm
MATERIAL	Onice
SURFACE FINISH	Levigata
KG / PZ	35
PRICE BAND	21



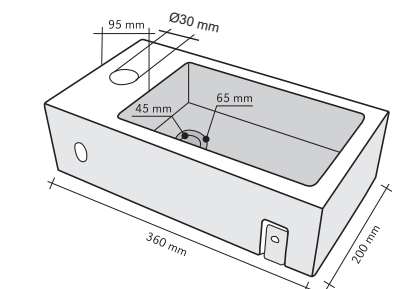
## TONDO ONICE

CODE	ISLATOONI
COLOUR	Chiaro
DIMENSIONS	Ø45 h15 cm
MATERIAL	Onice
SURFACE FINISH	Levigata
KG / PZ	30
PRICE BAND	29



## QUADRO ONICE

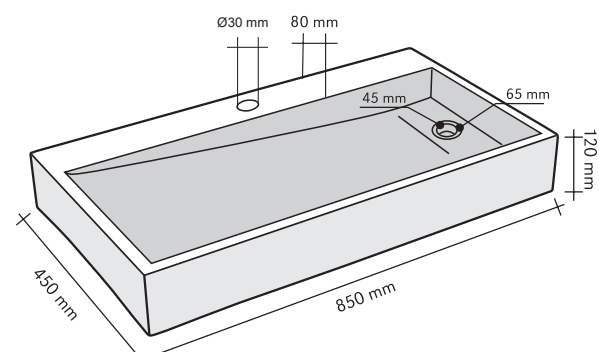
CODE	ISLAQUONI
COLOUR	Chiaro
DIMENSIONS	50x50xh12 cm
MATERIAL	Onice
SURFACE FINISH	Levigata
KG / PZ	35
PRICE BAND	31



## MINI RETTANGOLO ONICE

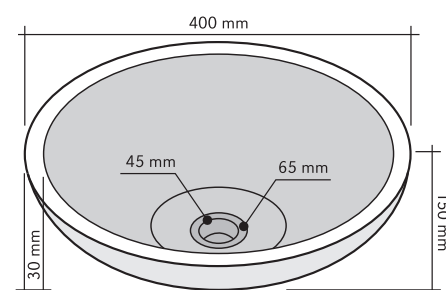
CODE	ISLAMREON
COLOUR	Chiaro
DIMENSIONS	36x20xh10
MATERIAL	Onice
SURFACE FINISH	Levigata
KG / PZ	25
PRICE BAND	23





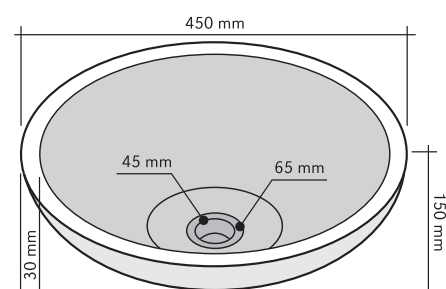
## RETTANGOLO ONICE

CODE	ISLAREONI
COLOUR	Chiaro
DIMENSIONS	85x45xh20 cm
MATERIAL	Onice
SURFACE FINISH	Levigata
KG / PZ	55
PRICE BAND	39



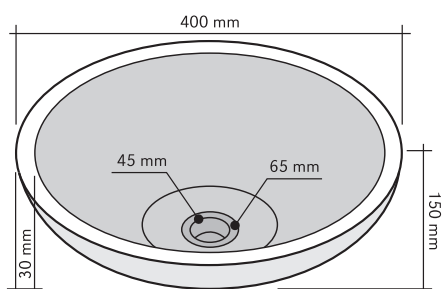
## TONDO MIELE

CODE	ISLATOMIE
COLOUR	Miele
DIMENSIONS	Ø40 h15 cm
MATERIAL	Marmo
SURFACE FINISH	Levigata
KG / PZ	30
PRICE BAND	23



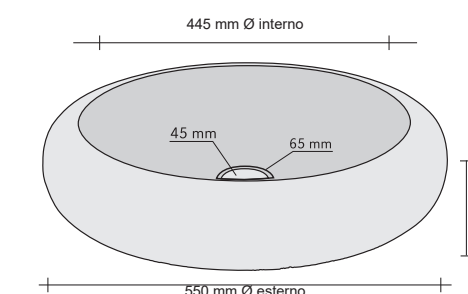
## TONDO SUNSET

CODE	ISLATOSUN
COLOUR	Scuro
DIMENSIONS	Ø45 h15 cm
MATERIAL	Onice
SURFACE FINISH	Levigata
KG / PZ	30
PRICE BAND	26



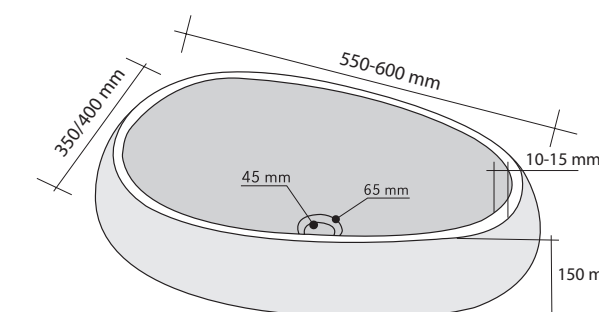
## TONDO TROTOL

CODE	ISLATOTRO
COLOUR	Chiaro
DIMENSIONS	Ø40 h15 cm
MATERIAL	Marmo
SURFACE FINISH	Levigata
KG / PZ	30
PRICE BAND	23



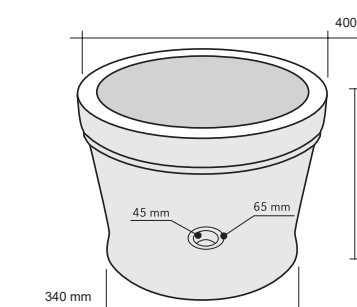
## INFINITO CREAM

CODE	ISLAINFCR
COLOUR	Cream
DIMENSIONS	Ø55 h12 cm
MATERIAL	Marmo
SURFACE FINISH	Levigata-Lavorata
KG / PZ	50
PRICE BAND	32



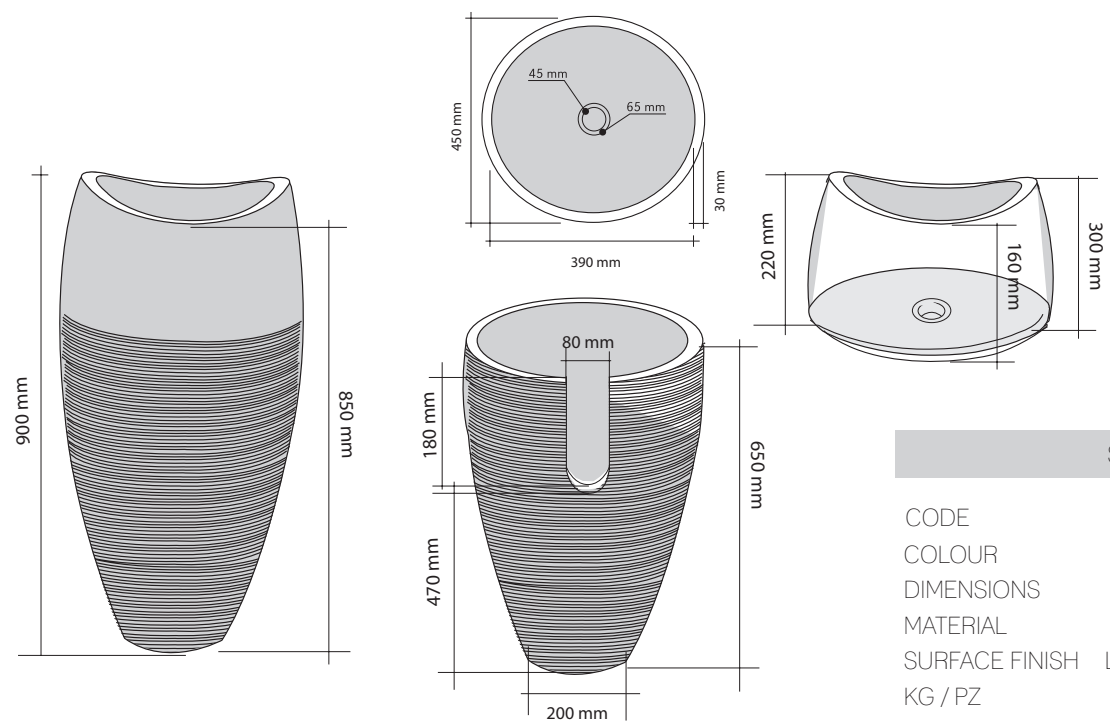
## GOCCIA CREAM

CODE	ISLAGOCCR
COLOUR	Cream
DIMENSIONS	40x60xh15 cm
MATERIAL	Marmo
SURFACE FINISH	Levigata
KG / PZ	35
PRICE BAND	25



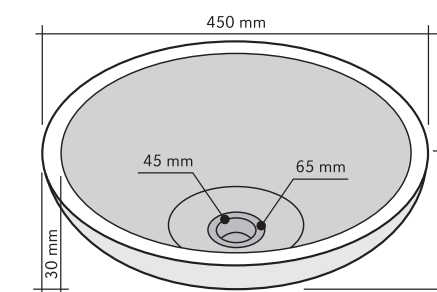
## SECCHIO CREAM

CODE	ISLASECCH
COLOUR	Cream
DIMENSIONS	Ø40 h30 cm
MATERIAL	Marmo
SURFACE FINISH	Levigata
KG / PZ	35
PRICE BAND	28



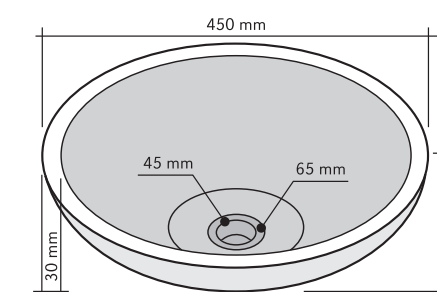
**SFERICO CREAM**

CODE ISLAAFECR  
 COLOUR Cream  
 DIMENSIONS Ø45 h85/90 cm  
 MATERIAL Marmo  
 SURFACE FINISH Lavorata-Levigata  
 KG / PZ 100  
 PRICE BAND **43**



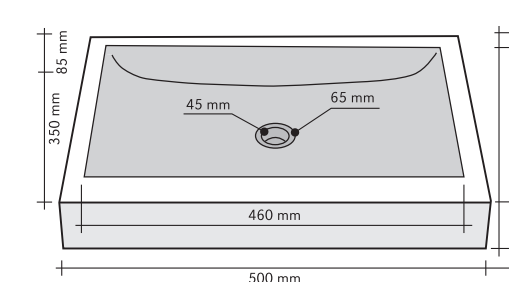
**TONDO GRIGIO**

CODE ISLATOGRL  
 COLOUR Grigio  
 DIMENSIONS Ø45 h15 cm  
 MATERIAL Marmo  
 SURFACE FINISH Levigata  
 KG / PZ 30  
 PRICE BAND **23**



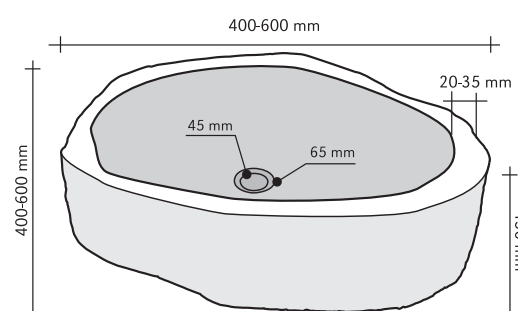
**ROTONDO GRIGIO GREZZO**

CODE ISLATOGRI  
 COLOUR Grigio  
 DIMENSIONS Ø45 h15 cm  
 MATERIAL Marmo  
 SURFACE FINISH Grezzo  
 KG / PZ 30  
 PRICE BAND **23**



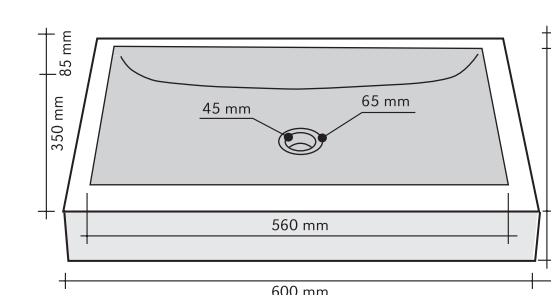
**QUADRATO GRIGIO**

CODE ISLAQUGRI  
 COLOUR Grigio  
 DIMENSIONS 35x50xh12 cm  
 MATERIAL Marmo  
 SURFACE FINISH Levigata  
 KG / PZ 30  
 PRICE BAND **24**



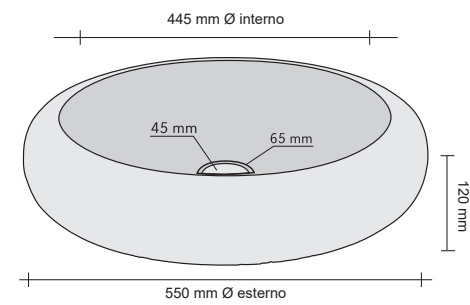
**PILAR STONE - Pezzo Unico**

CODE ISLAPILST  
 COLOUR Variiegato  
 DIMENSIONS Ø40-60 h13 cm  
 MATERIAL Pietra lavica  
 SURFACE FINISH Grezza  
 KG / PZ 30  
 PRICE BAND **26**



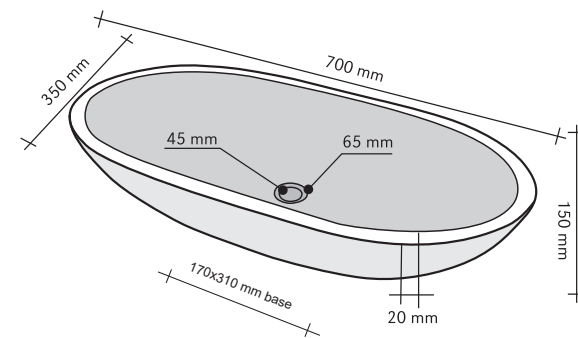
**SIMMETRIE GRIGIO**

CODE ISLASIGRI  
 COLOUR Grigio  
 DIMENSIONS 35x60xh12 cm  
 MATERIAL Marmo  
 SURFACE FINISH Levigata  
 KG / PZ 35  
 PRICE BAND **25**



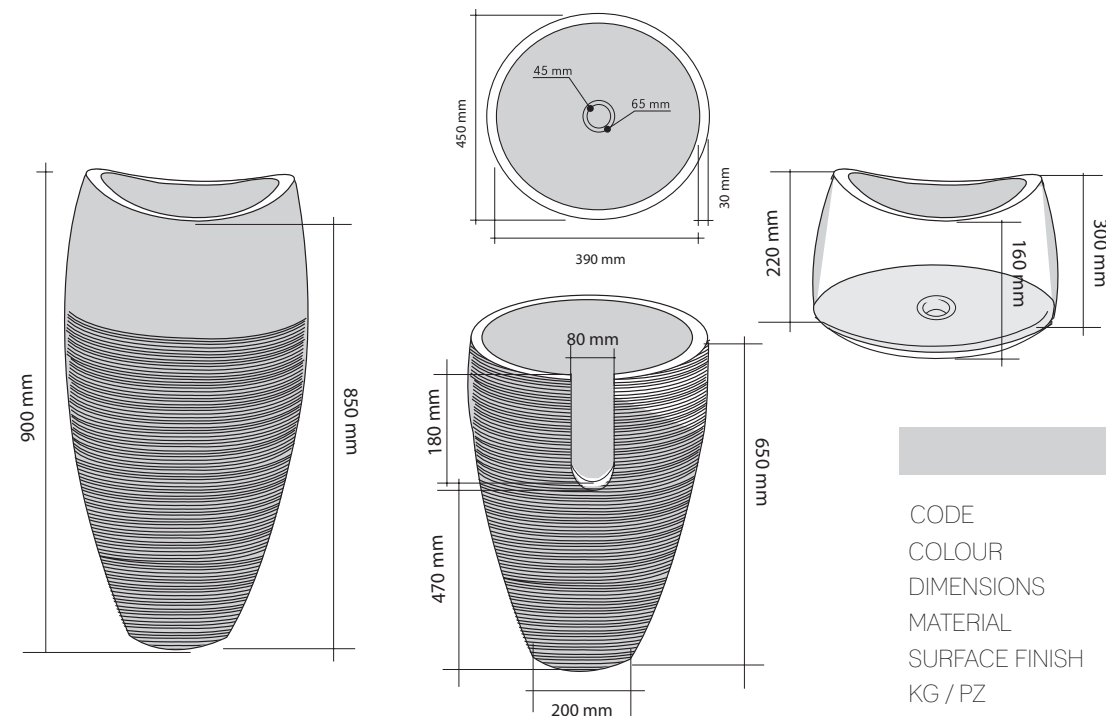
## INFINITO FUMÈ

CODE	ISLAINFFU
COLOUR	Fumè
DIMENSIONS	Ø55 h12 cm
MATERIAL	Marmo
SURFACE FINISH	Levigata-Lavorata
KG / PZ	50
PRICE BAND	32



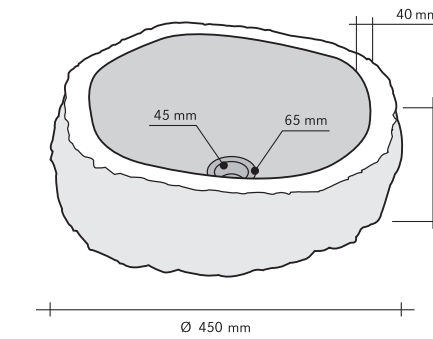
## OVALE FUMÈ

CODE	ISLAOVFUD
COLOUR	Fumè
DIMENSIONS	35x70xh15 cm
MATERIAL	Marmo
SURFACE FINISH	Levigata
KG / PZ	50
PRICE BAND	33



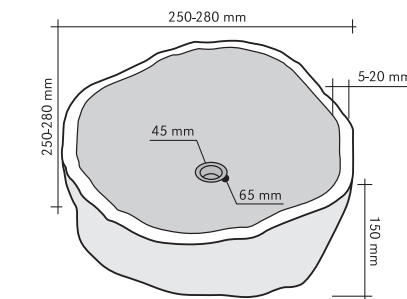
## SFERICO FUMÈ

CODE	ISLAAFEFU
COLOUR	Fumè
DIMENSIONS	Ø45 h85/90 cm
MATERIAL	Marmo
SURFACE FINISH	Lavorata
KG / PZ	100
PRICE BAND	43



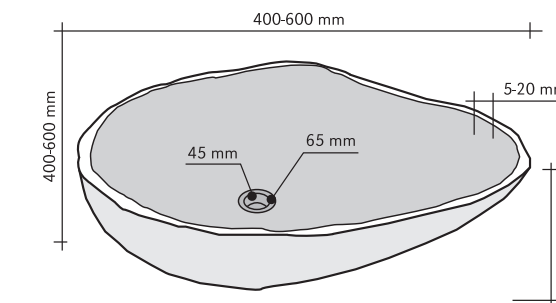
## ASTRATTO FUMÈ

CODE	ISLAASFUD
COLOUR	Fumè
DIMENSIONS	Ø45 h15 cm
MATERIAL	Marmo
SURFACE FINISH	Grezza
KG / PZ	45
PRICE BAND	23



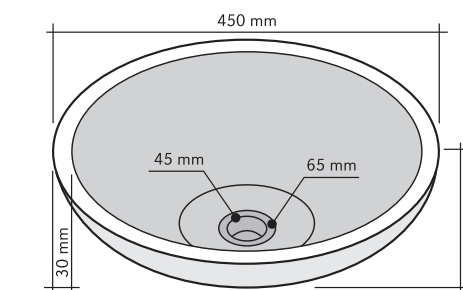
## MINI STONE - Pezzo Unico

CODE	ISLAMISTO
COLOUR	Scurò
DIMENSIONS	Ø25-28 h15 cm
MATERIAL	River Stone
SURFACE FINISH	Grezza
KG / PZ	25
PRICE BAND	19



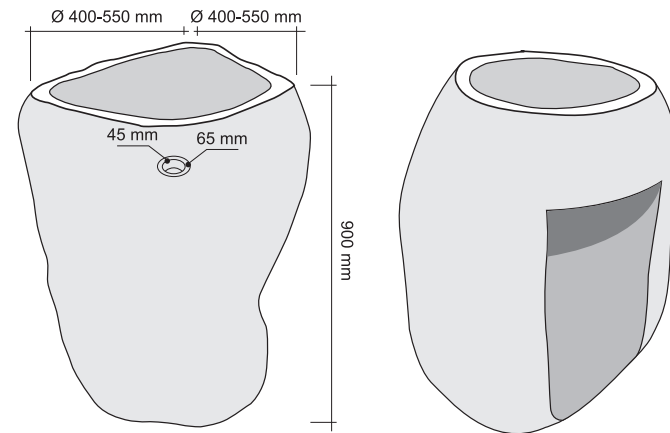
## OVALE RIVERSTONE - Pezzo Unico

CODE	ISLAOVRIV
COLOUR	Scurò
DIMENSIONS	Ø40-60 h15 cm
MATERIAL	River Stone
SURFACE FINISH	Grezza
KG / PZ	30-40
PRICE BAND	22



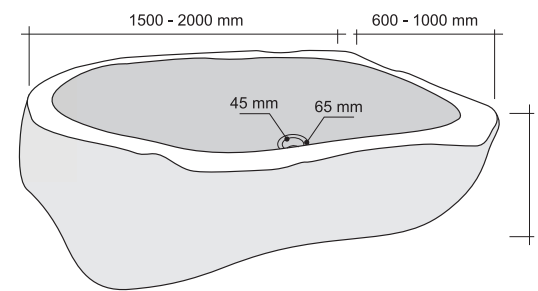
## TONDO ANTRACITE

CODE	ISLATOAND
COLOUR	Antracite
DIMENSIONS	Ø45 h15 cm
MATERIAL	Marmo
SURFACE FINISH	Levigata
KG / PZ	30
PRICE BAND	23



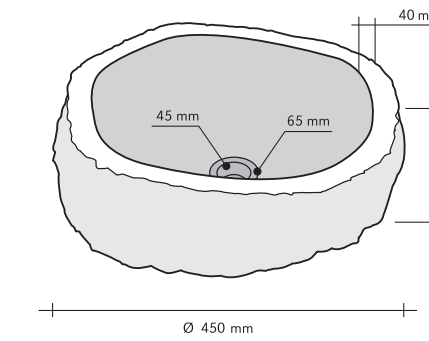
#### RIVERSTONE FREESTANDING Pezzo Unico

CODE	ISLARIFRE
COLOUR	Scuro
DIMENSIONS	Ø40-55 h90 cm
MATERIAL	River Stone
SURFACE FINISH	Grezza
KG / PZ	300/500
PRICE BAND	41



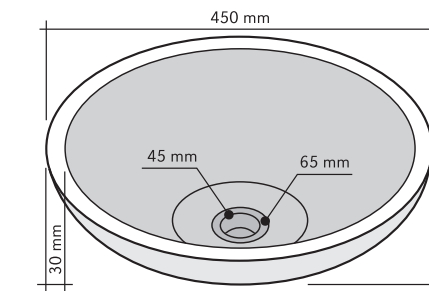
#### VASCA RIVERSTONE Pezzo Unico

CODE	ISVASRIV2
COLOUR	Scuro
DIMENSIONS	60-100 x 150-200 h 60cm
MATERIAL	River Stone
SURFACE FINISH	Grezza
KG / PZ	2500
PRICE BAND	44



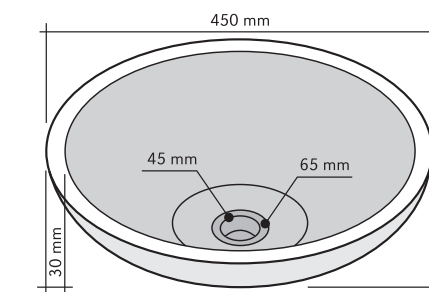
#### ASTRATTO NERO

CODE	ISLAASNED
COLOUR	Nero
DIMENSIONS	Ø45 h15 cm
MATERIAL	Marmo
SURFACE FINISH	Grezza
KG / PZ	45
PRICE BAND	23



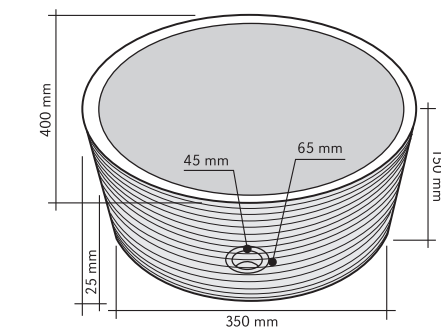
#### TONDO NERO LEVIGATO

CODE	ISLATONEL
COLOUR	Nero
DIMENSIONS	Ø45 h15 cm
MATERIAL	Marmo
SURFACE FINISH	Levigata
KG / PZ	30
PRICE BAND	23



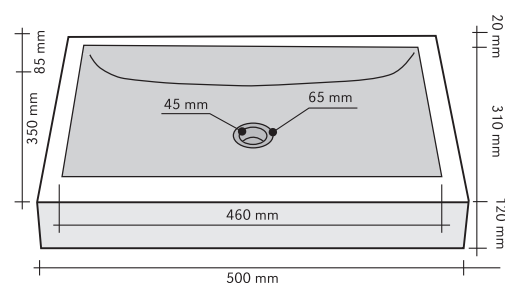
#### ROTONDO NERO GREZZO

CODE	ISLATONEG
COLOUR	Nero
DIMENSIONS	Ø45 h15 cm
MATERIAL	Marmo
SURFACE FINISH	Grezzo
KG / PZ	30
PRICE BAND	23



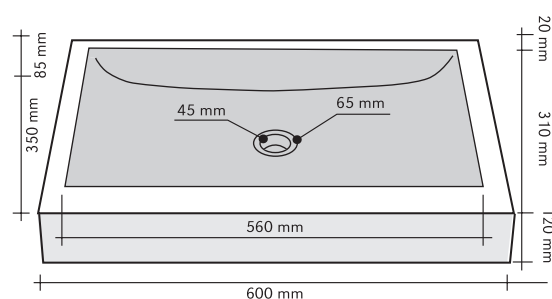
#### CILINDRO NERO

CODE	ISLACILNE
COLOUR	Nero
DIMENSIONS	Ø40 h15 cm
MATERIAL	Marmo
SURFACE FINISH	Bucciardato
KG / PZ	25
PRICE BAND	23



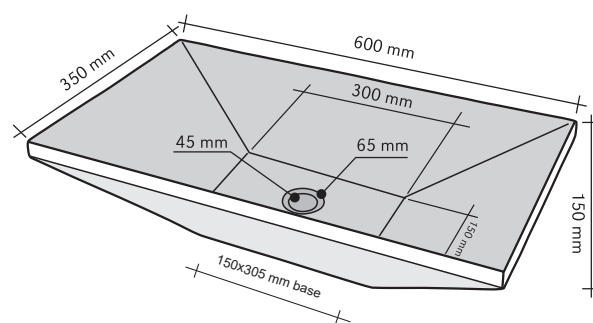
## QUADRATO NERO

CODE	ISLAQNER
COLOUR	Nero
DIMENSIONS	35x50xh12 cm
MATERIAL	Marmo
SURFACE FINISH	Levigata
KG / PZ	30
PRICE BAND	24



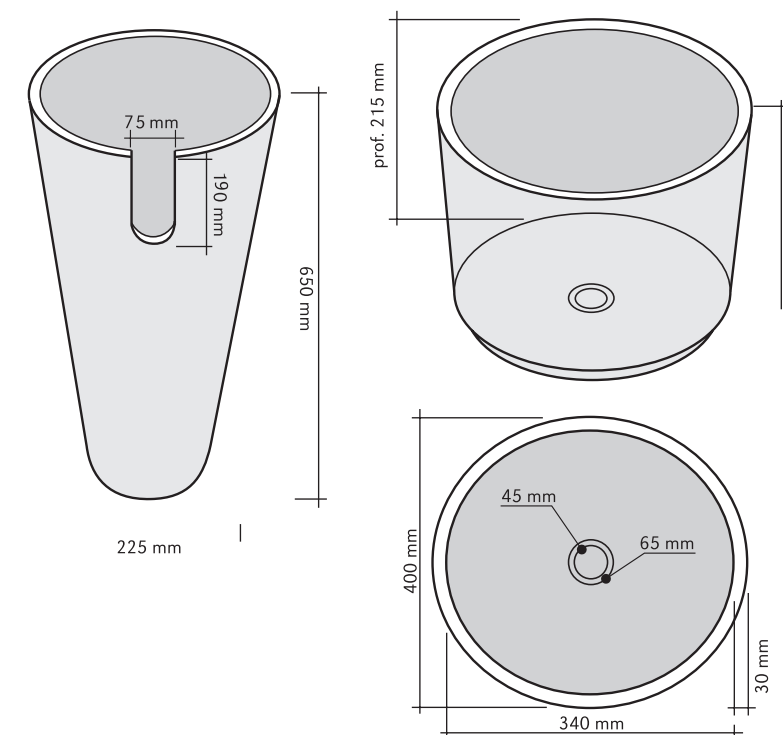
## SIMMETRIE NERO

CODE	ISLASINER
COLOUR	Nero
DIMENSIONS	35x60xh12 cm
MATERIAL	Marmo
SURFACE FINISH	Levigata
KG / PZ	35
PRICE BAND	25



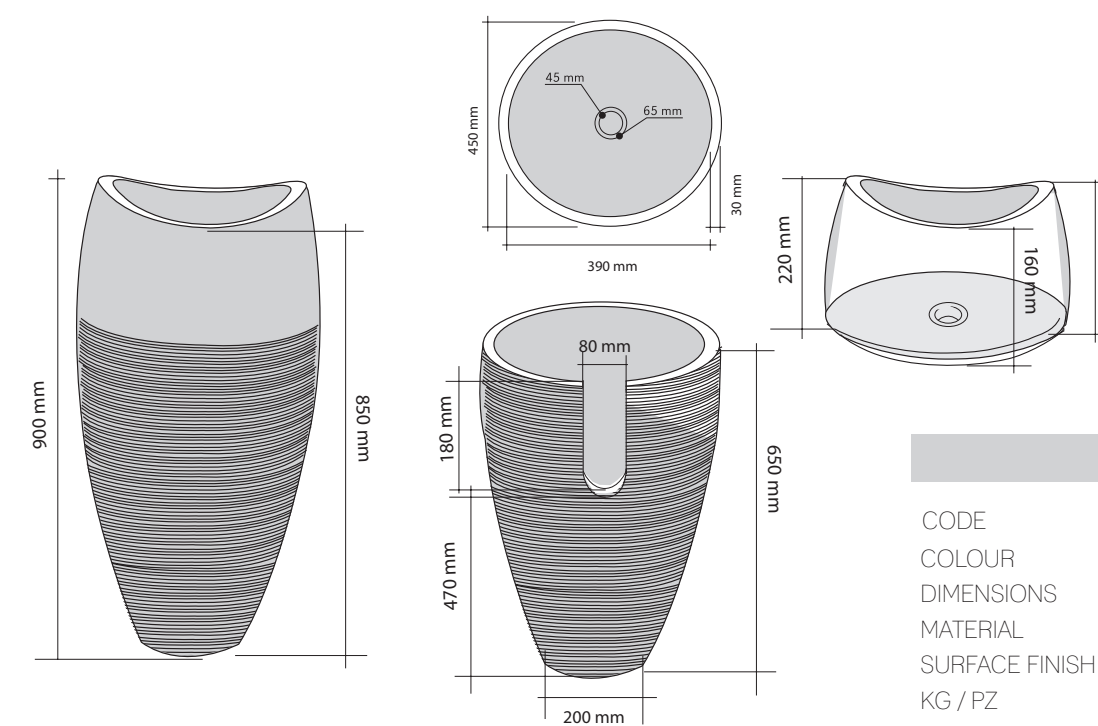
## TRAPEZIO NERO

CODE	ISLATRANE
COLOUR	Nero
DIMENSIONS	35x60xh15 cm
MATERIAL	Marmo
SURFACE FINISH	Levigata
KG / PZ	30
PRICE BAND	26



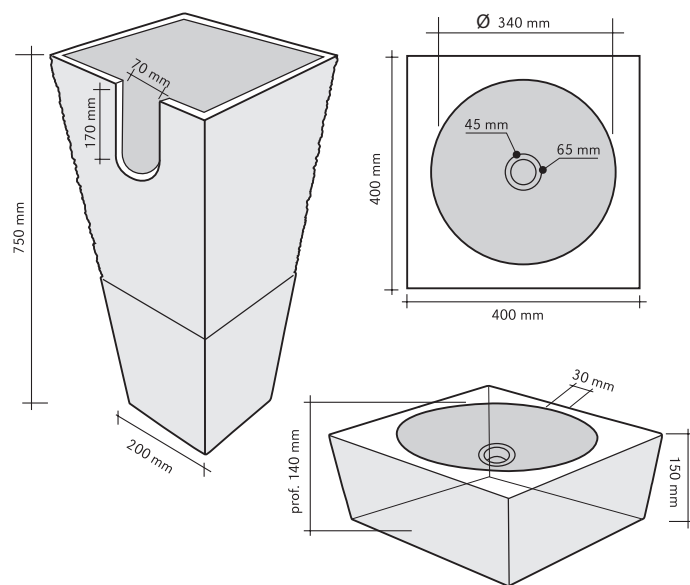
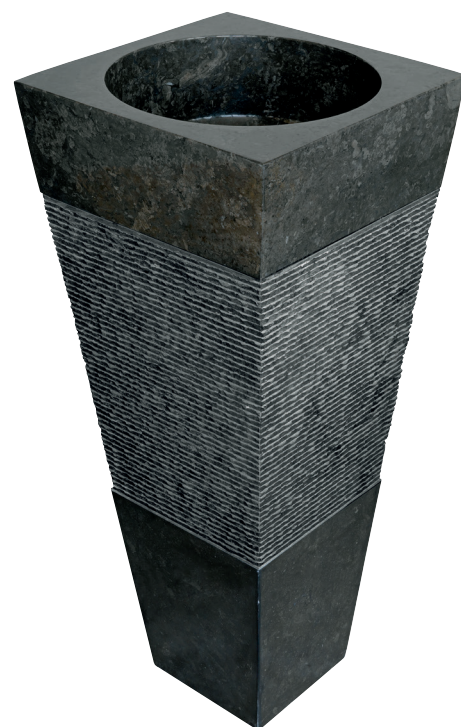
## CONICO NERO

CODE	ISLACONNE
COLOUR	Nero
DIMENSIONS	Ø40 h90 cm
MATERIAL	Marmo
SURFACE FINISH	Levigata-Lavorata
KG / PZ	90
PRICE BAND	36



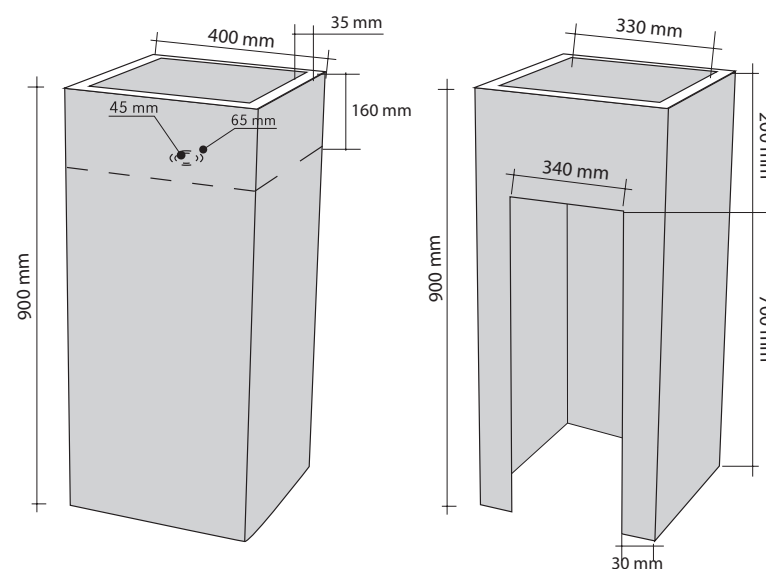
## SFERICO NERO

CODE	ISLAAFENE
COLOUR	Nero
DIMENSIONS	Ø45 h85/90 cm
MATERIAL	Marmo
SURFACE FINISH	Levigata-Lavorata
KG / PZ	100
PRICE BAND	43



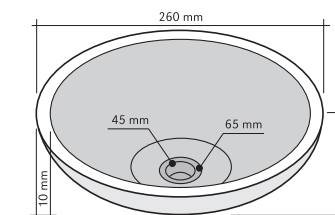
## PIRAMIDE NERO

CODE	ISLAPIRNE
COLOUR	Nero
DIMENSIONS	40x40xh90 cm
MATERIAL	Marmo
SURFACE FINISH	Lavorata
KG / PZ	90
PRICE BAND	40



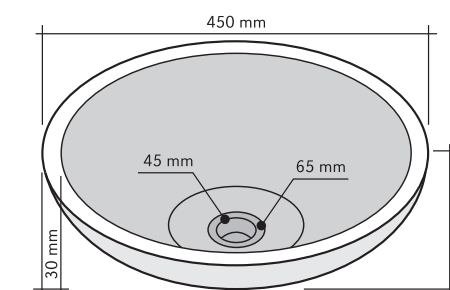
## CUBO NERO

CODE	ISLACUBNE
COLOUR	Nero
DIMENSIONS	40x40xh90 cm
MATERIAL	Marmo
SURFACE FINISH	Levigata
KG / PZ	90
PRICE BAND	41



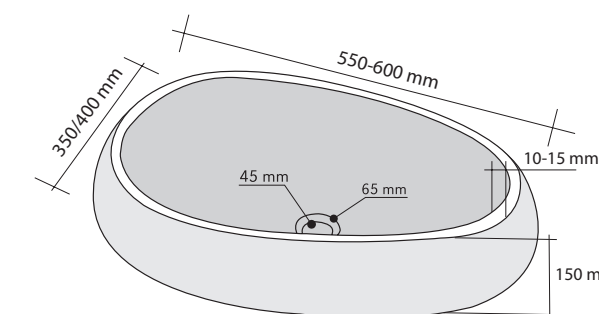
## MINI TONDO BASALTO NERO

CODE	ISLAMIBNE
COLOUR	Nero
DIMENSIONS	Ø26 h13 cm
MATERIAL	Basalto
SURFACE FINISH	Levigata
KG / PZ	25
PRICE BAND	20



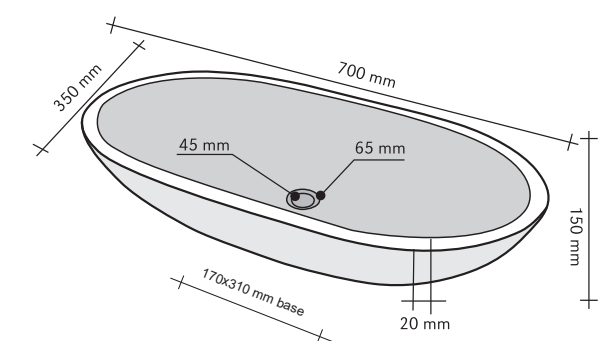
## TONDO BASALTO NERO

CODE	ISLATOBNE
COLOUR	Nero
DIMENSIONS	Ø45 h15 cm
MATERIAL	Basalto
SURFACE FINISH	Levigata
KG / PZ	35
PRICE BAND	25



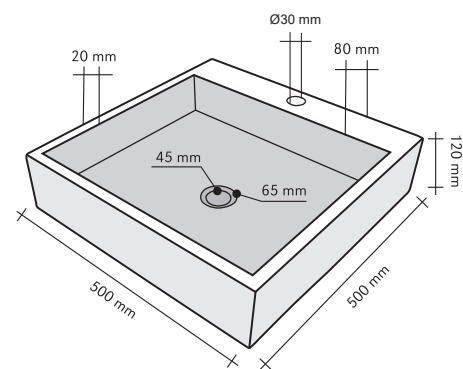
## GOCCIA BASALTO NERO

CODE	ISLAGOCNE
COLOUR	Nero
DIMENSIONS	40x60xh15 cm
MATERIAL	Basalto
SURFACE FINISH	Levigata
KG / PZ	35
PRICE BAND	25



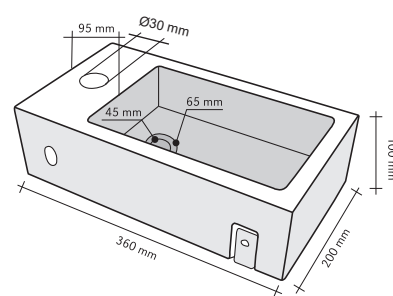
## OVALE BASALTO NERO

CODE	ISLAOVNE
COLOUR	Nero
DIMENSIONS	35x70xh15 cm
MATERIAL	Basalto
SURFACE FINISH	Levigata
KG / PZ	55
PRICE BAND	36



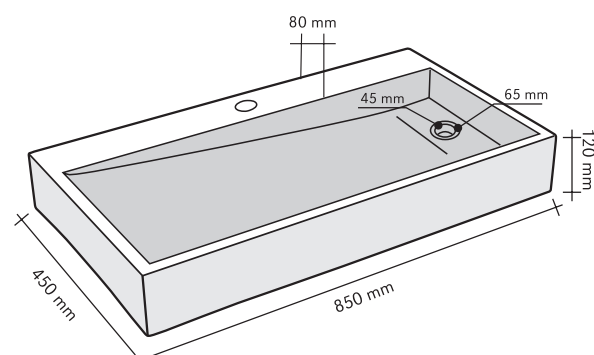
#### QUADRO BASALTO NERO

CODE	ISLAQBNE
COLOUR	Nero
DIMENSIONS	50x50xh12 cm
MATERIAL	Basalto
SURFACE FINISH	Levigata
KG / PZ	40
PRICE BAND	26



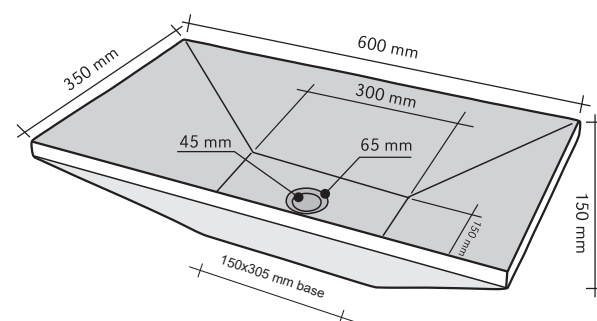
#### MINI RETTANGOLO BASALTO NERO

CODE	ISLAMREBN
COLOUR	Nero
DIMENSIONS	36x20xh10
MATERIAL	Basalto
SURFACE FINISH	Levigata
KG / PZ	25
PRICE BAND	20



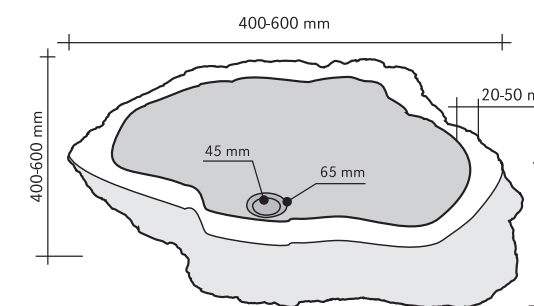
#### RETTANGOLO BASALTO NERO

CODE	ISLAREBNE
COLOUR	Nero
DIMENSIONS	85x45xh20 cm
MATERIAL	Basalto
SURFACE FINISH	Levigata
KG / PZ	65
PRICE BAND	34



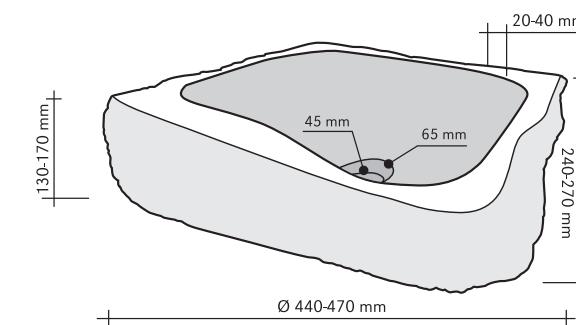
#### TRAPEZIO BASALTO NERO

CODE	ISLATRABN
COLOUR	Nero
DIMENSIONS	35x60xh15 cm
MATERIAL	Basalto
SURFACE FINISH	Levigata
KG / PZ	35
PRICE BAND	33



#### JURASSIC ONYX - Pezzo Unico

CODE	ISLAJURON
COLOUR	Variiegato
DIMENSIONS	Ø40-60 h15 cm
MATERIAL	Onice
SURFACE FINISH	Grezza
KG / PZ	30-40
PRICE BAND	33



#### FOSSIL - Pezzo Unico

CODE	ISLAMFOSS
COLOUR	Variiegato
DIMENSIONS	26x46 h15 cm
MATERIAL	Legno Fossile
SURFACE FINISH	Grezza
KG / PZ	30-40
PRICE BAND	33

## CONDIZIONI GENERALI DI VENDITA

### 1 - APPLICABILITY OF CONDITIONS

1.1 These general conditions (the "CONDITIONS") constitute the most important part of each contract of sale of tiles and any other ceramic material (the "PRODUCTS") in which IMSO CERAMICHE (the MANUFACTURER) is one of the parties. Excepted single cases in which they have been derogated by explicitly written agreements signed by the MANUFACTURER, they will constitute the exclusive discipline of such sales. If one or more parts of these CONDITIONS, or of single contracts including them, result to be invalid, the general or the particular CONDITIONS will remain valid as a whole: invalid parts will be substituted through agreements that are as close as possible to the original will of the parties.

### 2 - CONCLUSION OF THE CONTRACT OF SALE - DELIVERY

- 2.1. The contract is intended to be concluded at the moment in which the written consent of the counterpart has come to the knowledge of the proponent and of the person ordering the contract.
- 2.2. The order that has not been confirmed in writing cannot be considered accepted in any case, except for the performance of the contract itself by the MANUFACTURER through shipment or delivery of the PRODUCTS. The partial delivery of ordered PRODUCTS doesn't involve that the whole order has been accepted, but only that part of PRODUCTS actually delivered.
- 2.3. Except a different written agreement, the delivery of PRODUCTS in Italy or abroad will take place "ex-works".
- 2.4. Except a different agreement, all the dates given as delivery dates are intended in a indicative sense.

### 3 - CHARACTERISTICS OF THE PRODUCTS - WARRANTY - COMPLAINTS

3.1. Ceramic tiles and other ceramic PRODUCTS produced by IMSO CERAMICHE comply with European norms UNI-DIN-EN. The MANUFACTURER sells exclusively to professional resellers that are responsible for the accuracy of technical informations given to final users and/or to retailers.

The classification of a product is indicated by the MANUFACTURER on advertising material and/or on price lists. Therefore the purchaser must use the PRODUCTS according to the classification given by the MANUFACTURER. To facilitate the directions for the use of products and to adapt standard classifications to the specificity of the production, marks connected with each single product are put in price lists and catalogues, indicating the specific use advised by the MANUFACTURER.

3.2. Differences in the tone are not defects of the PRODUCT but a characteristic of the specific material fired at high temperatures. The particular requisite of frost resistance is applied only to those PRODUCTS explicitly guaranteed by the MANUFACTURER with the relative indication on advertising material and/or price list. In case this indication is not given, ceramic materials are considered only and exclusively for indoor use or use in places protected from bad weather.

3.3. Ceramic materials with polished surface can never be used in places located on the ground floor with access outside or in places with great pedestrian traffic. In addition polished tiles are susceptible for a certain slipperiness especially when they are wet. The MANUFACTURER advises therefore not to use them in public places. In places with great pedestrian traffic the purchase will have to buy only those PRODUCTS classified by the MANUFACTURER as PEI V, and in particular those tiles that the MANUFACTURER advises SPECIFICALLY for use in public places.

3.4. The pictures of the PRODUCTS on leaflets and on other advertising material by the PRODUCER are only illustrative and they don't represent necessarily the final esthetic result of laying of the PRODUCT.

3.5. The MANUFACTURER guarantees the good quality and the absence of defects of the products supplied, the warranty is not applied to those PRODUCTS classified by the MANUFACTURER as non-first-quality products or to lots of PRODUCTS of the end of a series, sold in bulk and pointed out as special lots. However a 5% tolerance is provided.

3.6. The MANUFACTURER is not responsible for defects and/or anomalies found out in the PRODUCTS that are not due to their quality, but to an improper use of them by the purchasers and/or by their assignees. In particular the MANUFACTURER doesn't accept complaints or contestations concerning the above mentioned situation.

3.7. Complaints must be communicated by the purchaser to the MANUFACTURER within 8 days from the delivery of goods. In case of defects, the term is 8 days from the discovery. In any case the MANUFACTURER is not responsible for the defects denounced 12 months after the delivery of the PRODUCTS to the purchaser. In case of hidden defects the warranty is applied up to 2 years after the delivery of the PRODUCTS to the first purchaser. The denunciation of defects must be notified to the MANUFACTURER within and not later than 8 days from the discovery.

3.8. In general the warranty is applied only for defects found out in products that have not yet been layed. In case of hidden defects, detectable only after laying, it's necessary for the MANUFACTURER to verify that the laying has been carried out duly (conforming to DIN 18352).

3.9. The MANUFACTURER's warranty is limited to the substitution of faulty PRODUCTS with other products of the same model without defects, freight included. The reimbursement of other expenses or additional costs, and in particular demolition costs and money paid for a second laying of the PRODUCTS is excluded. In any case the MANUFACTURER's warranty cannot exceed 5 times the value of the contested material, with an absolute maximum of 10.000 euro.

3.10. The MANUFACTURER is not responsible for complaints due to a classification of the ceramic material by foreign bodies for control and/or certification, that is different from the Italian one, according to technical specifications that don't correspond to those used by the MANUFACTURER. In case of technical expertise activated by the purchaser, this must be necessarily based on the conformity of the sold material with the specifications indicated by the MANUFACTURER in force in Italy.

### 4 - PRICES AND CONDITIONS OF PAYMENT

4.1. The sale prices of PRODUCTS are those indicated in the price list of the MANUFACTURER in force at the moment of the confirmation of the order. In case of contracts of sale and delivery of goods divided in parts, and if there is no written agreement. On the subject, the price is the one indicated in the price list in force at the moment of the delivery of each single portion of goods. For all the PRODUCTS destined to the foreign market prices can be calculated at MANUFACTURER's choice in the foreign currency of the destination country or in Italian lire.

Every bank and negotiation costs have to be debted to the Purchaser. In case of delay in the payment the MANUFACTURER has the right, without the necessity of putting into mora to cash a moratory interest amounting to the official discount rate in Italy, plus 5%, apart from economical damages occurred.

### 5 - MANUFACTURER'S AGENTS

5.1. The MANUFACTURER's agents promote sales but are not authorized to act in the name and on the behalf of the MANUFACTURER, except in case of a specific written permission.

5.2. The orders transmitted by the agents don't bind the MANUFACTURER. Therefore they must be accepted explicitly in writing by the MANUFACTURER.

### 6 - RESERVED DOMINION

6.1. It's agreed between the parties that the sale of the PRODUCTS is carried out with reserve of propriety in favour of the MANUFACTURER up to the total payment of the agreed price, according to the Italian Civil Code, art. 1523 and following. However the risk of deterioration of the goods passes to the purchaser from the moment of delivery of the PRODUCTS. In the sales of the PRODUCTS abroad, in case the goods are sold and delivered to third customers before the transfer of title, within the ordinary trade relations of the purchaser himself, the reserve of property in favour of the MANUFACTURER remains also towards third customers, when the law permits it.

6.2. In case of mora of the Purchaser, the MANUFACTURER can take back all the goods object of reserved dominion without any formality, included the putting into mora, and if the law permits it, all documents of credit to third people relative to these goods, with reserve of any proper legal remedy for the prejudices suffered.

### 7 - SUPERIOR FORCE

7.1. The MANUFACTURER is not responsible towards the Purchaser for non-fulfillment, included non-delivery or delay in delivery due to events outside his reasonable control, as for example non-delivery or delay in delivery of materials by the suppliers, breakdown of plants, strikes or other sindical actions, interruption of energy supply, interruption or difficulty of transports.

### 8 - APPLICABLE LAW - COMPETENT COURTS

8.1. The contracts of sale to export in which the MANUFACTURER is one of the party are governed by the Italian law and in particular by the "Preservation of International Contracts of Sale" of movables, where it's not derogated by these CONDITIONS and by the Convention of Vienna (11 April 1 980).

8.2. The competent court for any controversy concerning the sale of the PRODUCTS by the MANUFACTURER and the trade relation connected with the above mentioned sales is the court of the registered office of the MANUFACTURER, even when the legal action started concerns documents of credit released to the MANUFACTURER, as means of payment.



IMSO  
CERAMICHE